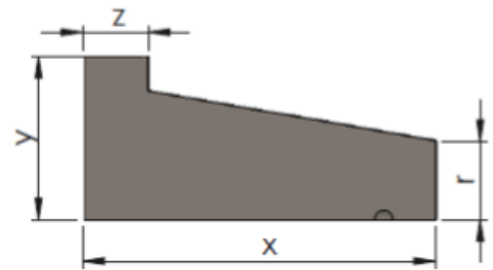
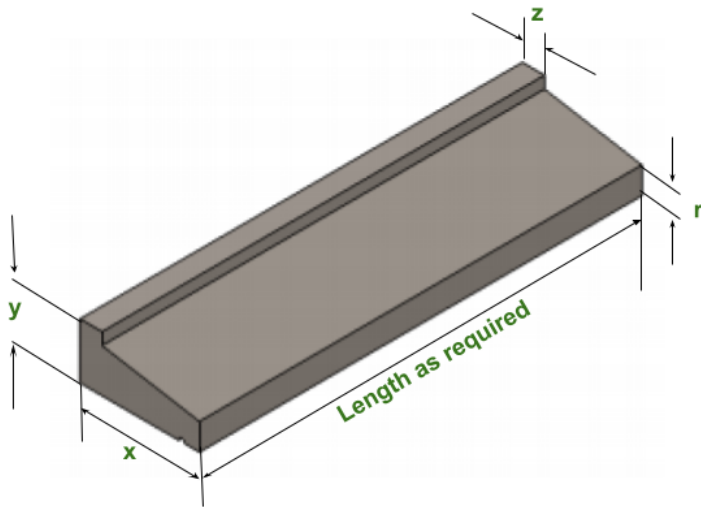


Passive window sill dimensions



* all measurements are in mm

Sill Code	x	y	z	r
P45 / S1	600	150	50	90
M245	550	150	50	90
P10	450	150	50	90
P37 / S3	420	150	75	80
P8	400	150	50	90
P7	350	150	50	90
M271	330	100	135	100
P46	325	150	70	25
P26	310	110	None	75
P6	300	150	50	90
P33	285	140	80	100
P42	275	150	50	90

P17	270	100	20	75
P4	265	150	20	90
P1 / P31	250	150	50	90
P40	250	150	25	90
P24	250	90	15	70
P30	240	120	35	65
P3	235	150	40	90
P19	235	120	70	50
P9	225	135	50	90
P21/ P25	225	150	25	90
P23	225	145	25	90
P2	225	135	25	90
P35	200	75	None	55
P15	200	135	60	90
P14	200	150	25	90
P43	190	100	15	50
P20	185	150	75	90
P32	175	75	None	50
P13	170	140	15	90
P44	155	85	15	65

The information in this document is correct as of February 2021. Profile sizes are given as an indication only. Passive Sills reserves the right to modify these at any time without notice.